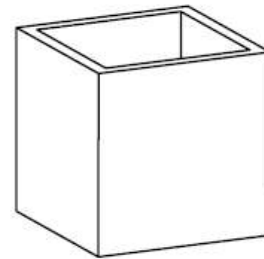
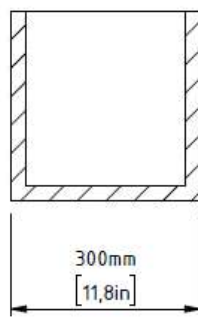
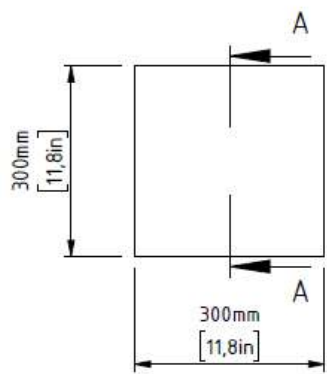


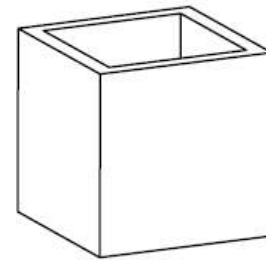
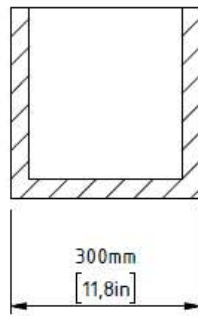
SECTION A-A



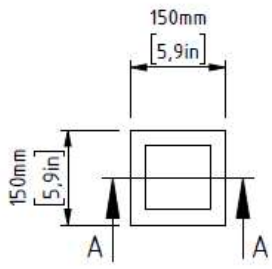
CERAMICS



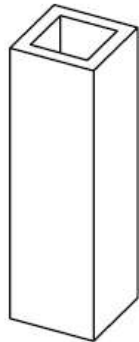
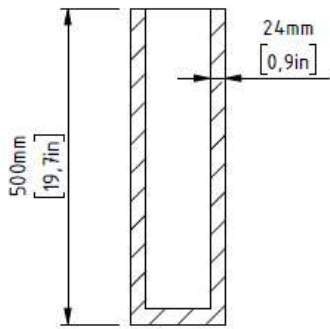
SECTION A-A



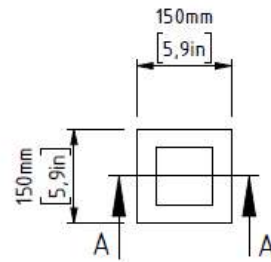
STONE



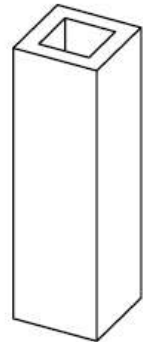
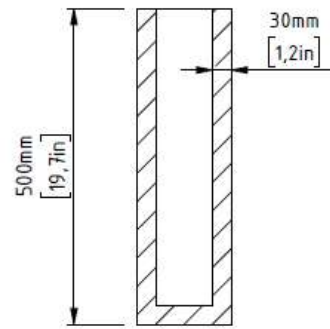
SECTION A-A



CERAMICS



SECTION A-A



STONE