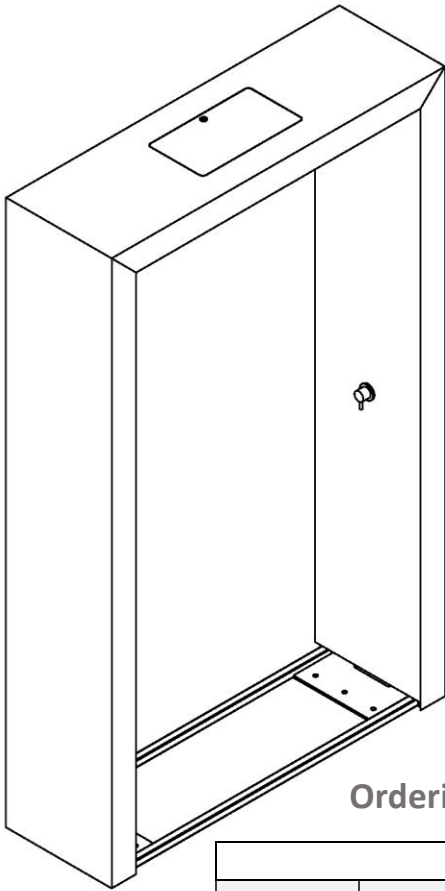


## ODINO Outdoor Shower



### Ordering Information:

Product:	Material:	Standard Decors:*	Supply Direction:	Additional Features:								
OD	K	P BHB SB R FB	BF SF	MS *	HC	LE	WT **	L	HS	FD	XLS	PVD
	M	SN S SL GW GC C RF VA LI SB										

For Custom Decors check the Catalogue or contact your local sales representative.

For other custom requests, contact your local sales representative.

\* On request if both cold and hot water are installed.

\*\* Available for Ceramic material only.

**ORDERING INFORMATION****Material**

- ❖ **K**, collection made of natural stone *Kanfanar* (\*other stone type on request)
- ❖ **M**, collection made of *The Marazzi* porcelain stoneware.

**Standard Decors**

Standard Decors available for **K** collection:

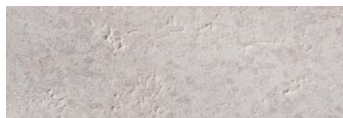
- ❖ **P** - Polished



- ❖ **BHB** - Bush Hammered & Brushed



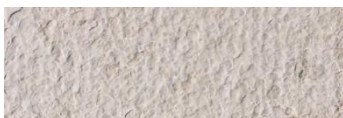
- ❖ **SB** - Sandblasted & Brushed



- ❖ **R** - Rigato (Striped)



- ❖ **FB** - Flamed & Brushed



## Standard Decors

Standard Decors available for **M** collection:

❖ **SN** - Sahara Noir



❖ **GW** - Golden White



❖ **S** - Statuario



❖ **GC** - Grigio Carnico



❖ **SL** - Saint Laurent



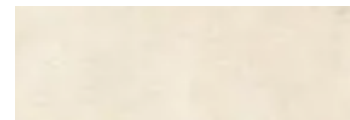
❖ **C** - Corten



❖ **RF** - Rovere Francese



❖ **LI** - Limestone Ivory



❖ **VA** - Verde Aver



❖ **SB** - Solidate Blu

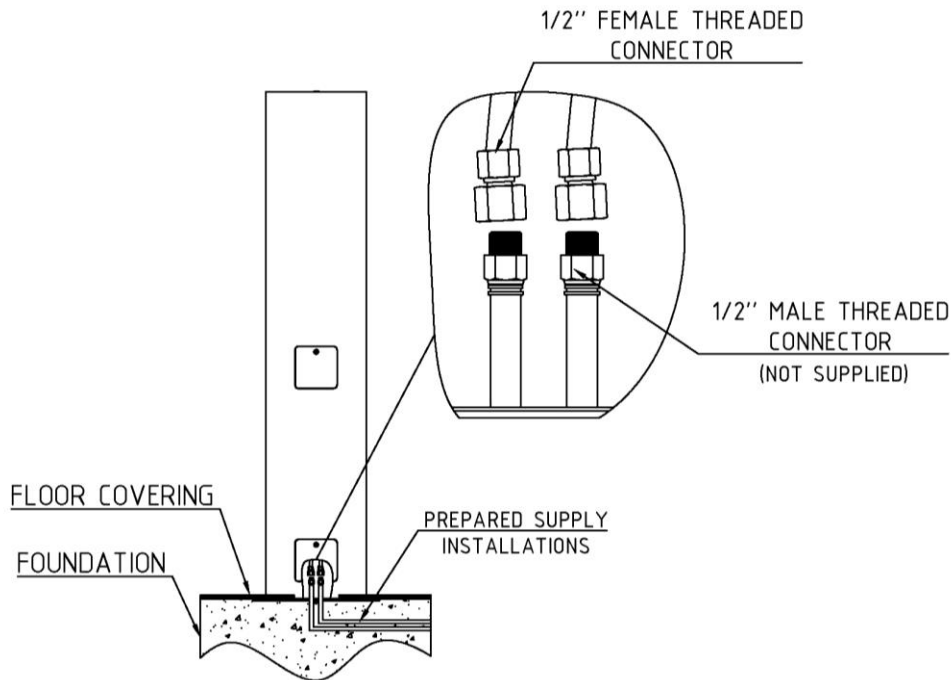


## Supply Direction

Two options for shower installation:

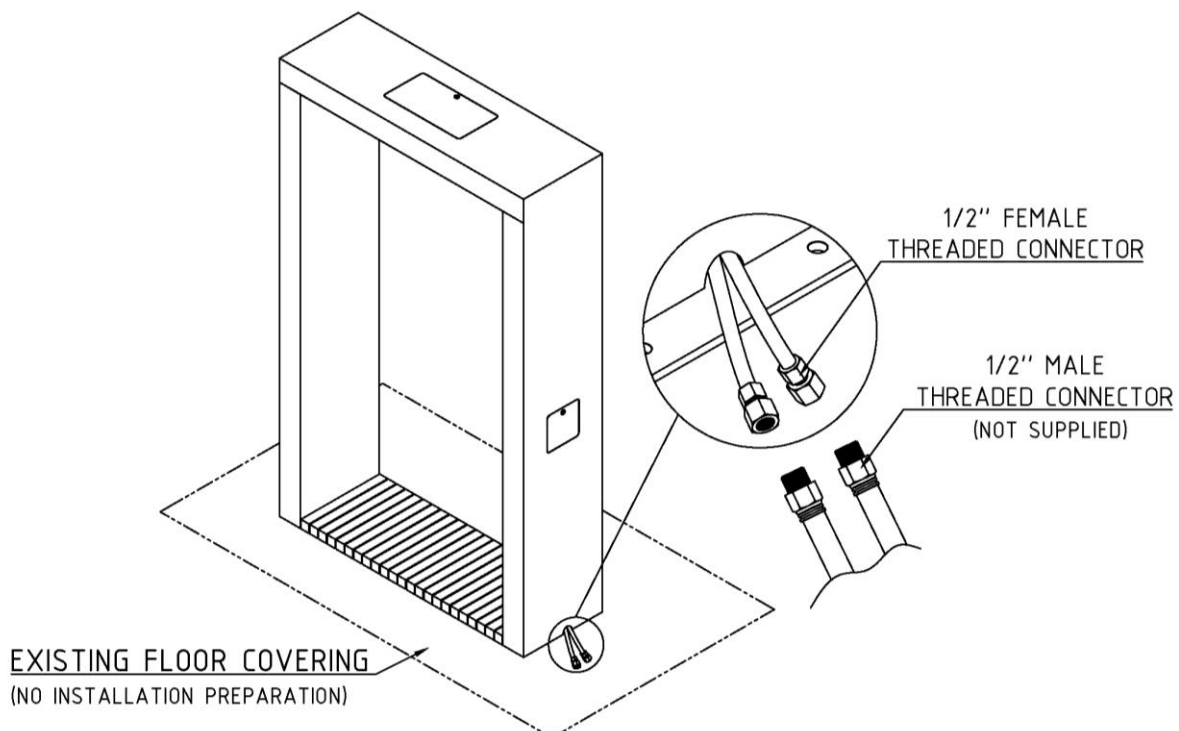
### ❖ Back Feed

- Preparation of underground supply installation required
- The required height of inlets and the type of fitting connections must be in accordance with the provided Installation Instructions



### ❖ Side Feed

- The connection is enabled outside the shower body
- No underground preparation is required
- Appropriate fittings must be provided at the supply ends



## Additional features

Following additional features available:

- ❖ **MS** – Motion sensor\*
- ❖ **HC** - Anti-frost heating cable
- ❖ **LE** - Logo engraving
- ❖ **WT** - Solar heated 15l / 4gal water tank\*\*
- ❖ **L** - Ambient LED lighting designed by Filix
- ❖ **HS** – Hand Shower
- ❖ **FD** - Floor Decking
- ❖ **XLS** - XL Showerhead (600 x 400 mm ~ 23,6 x 15,8 in)
- ❖ **PVD** – (Physical Vapor Deposition) Shower handle coating

Available finishes:



## SPECIFICATION FEATURES

### Shower System

Consists of:

- ❖ 3 flexible stainless steel knitted hose ½"
- ❖ 2-way mixing mechanism with faucet and handle, showerhead
- ❖ The informed Nattura S shower catalyst with beneficial well-being effects

This basic system is subject to change depending on chosen additions.

### Water Pressure

- ❖ Min = 2 bar ~ 29 PSI [lb/in<sup>2</sup>]
- ❖ Max = 4 bar ~ 58 PSI [lb/in<sup>2</sup>]

### Operating Voltage

- ❖ 24V DC (If the Ambient LED Light is installed in the product)

### Maintenance

Regularly clean with soft cloth.

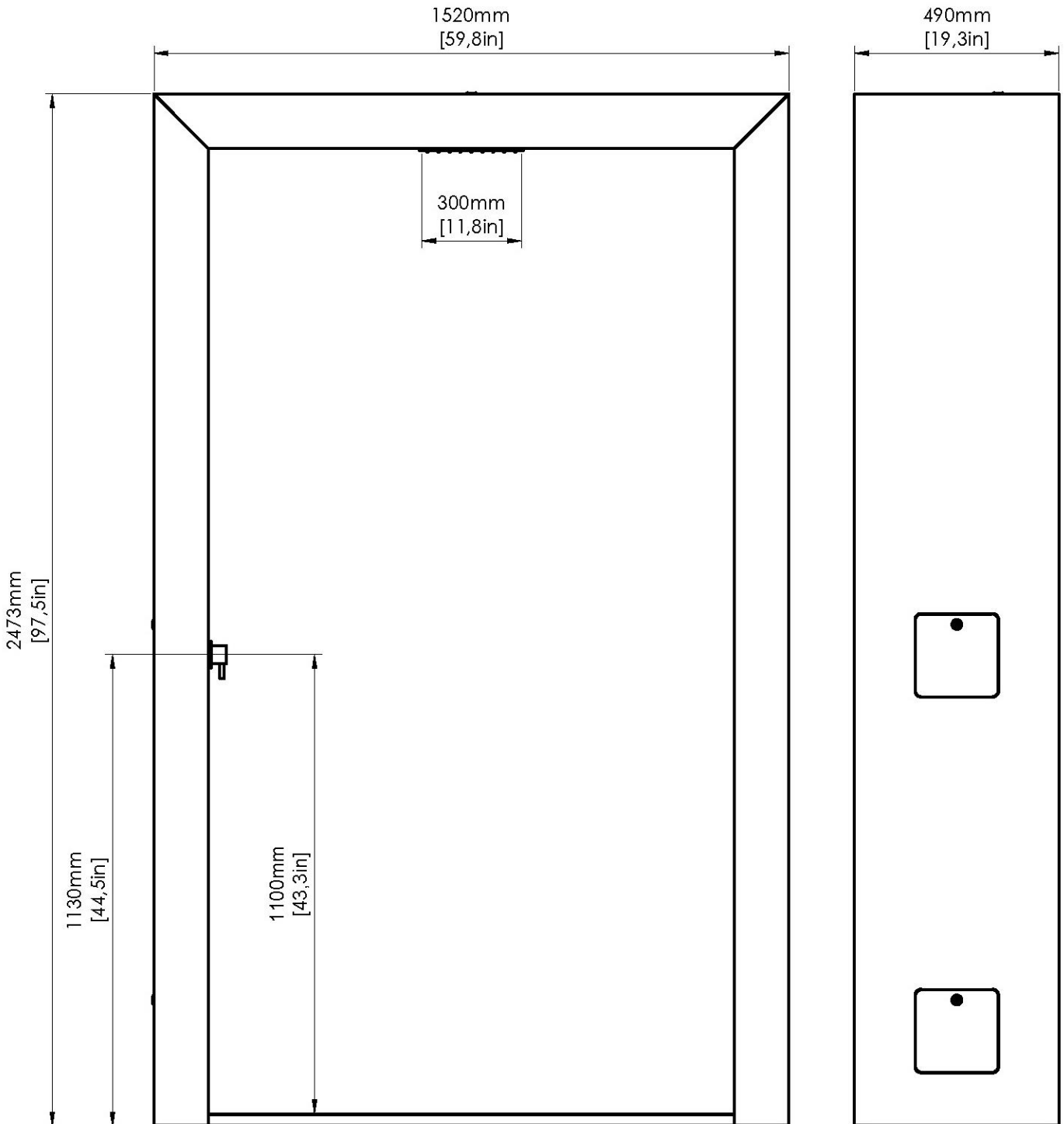
### Usage

- ❖ Outdoor

### Warranty

3 years warranty regarding defects in material and shower system.

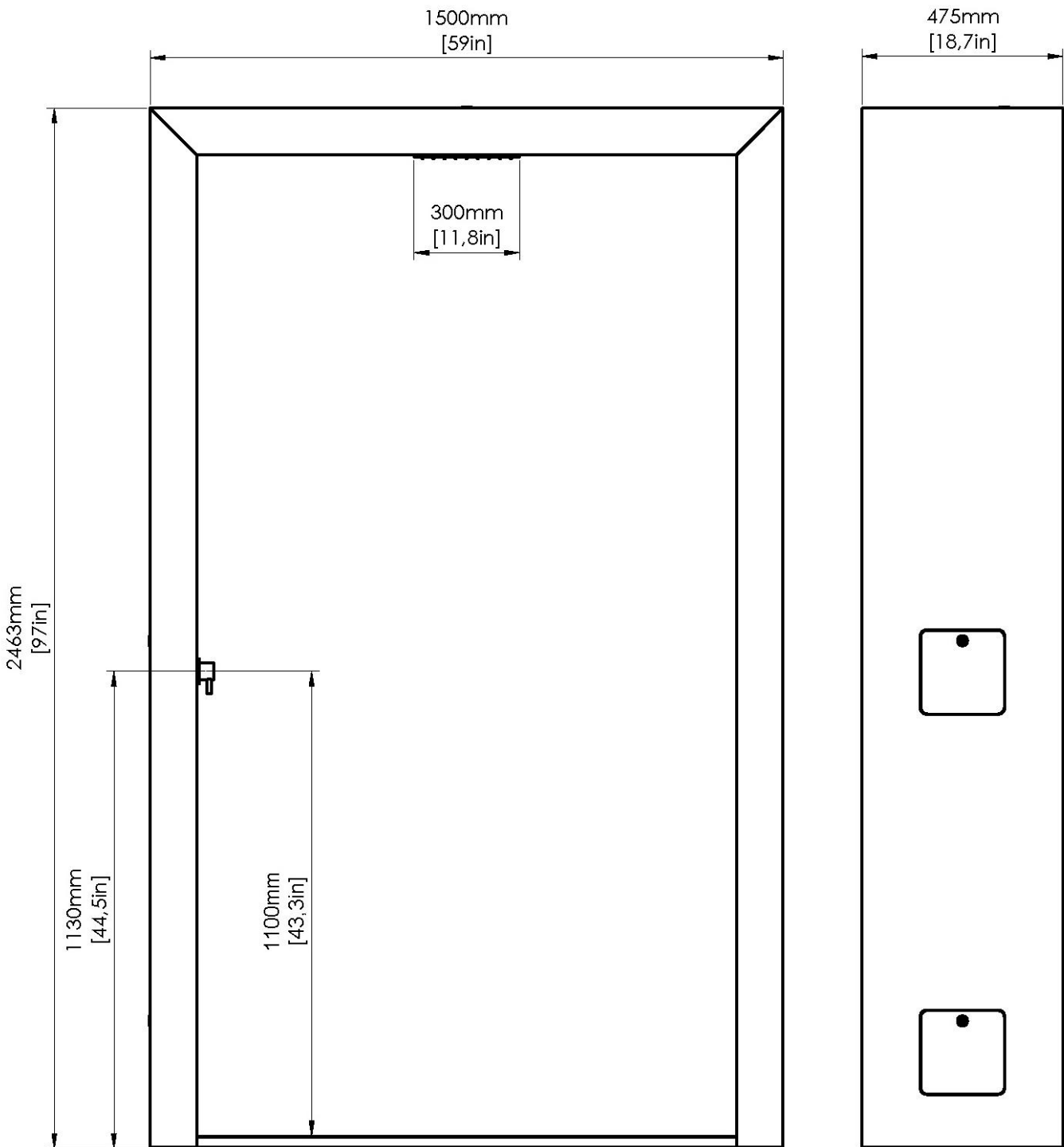
## PRODUCT DIMENSIONS AND WEIGHT Stone



467kg / 1029lbs

## PRODUCT DIMENSIONS AND WEIGHT

Ceramic

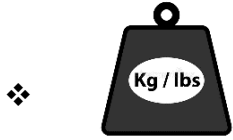


144 kg/318 lbs

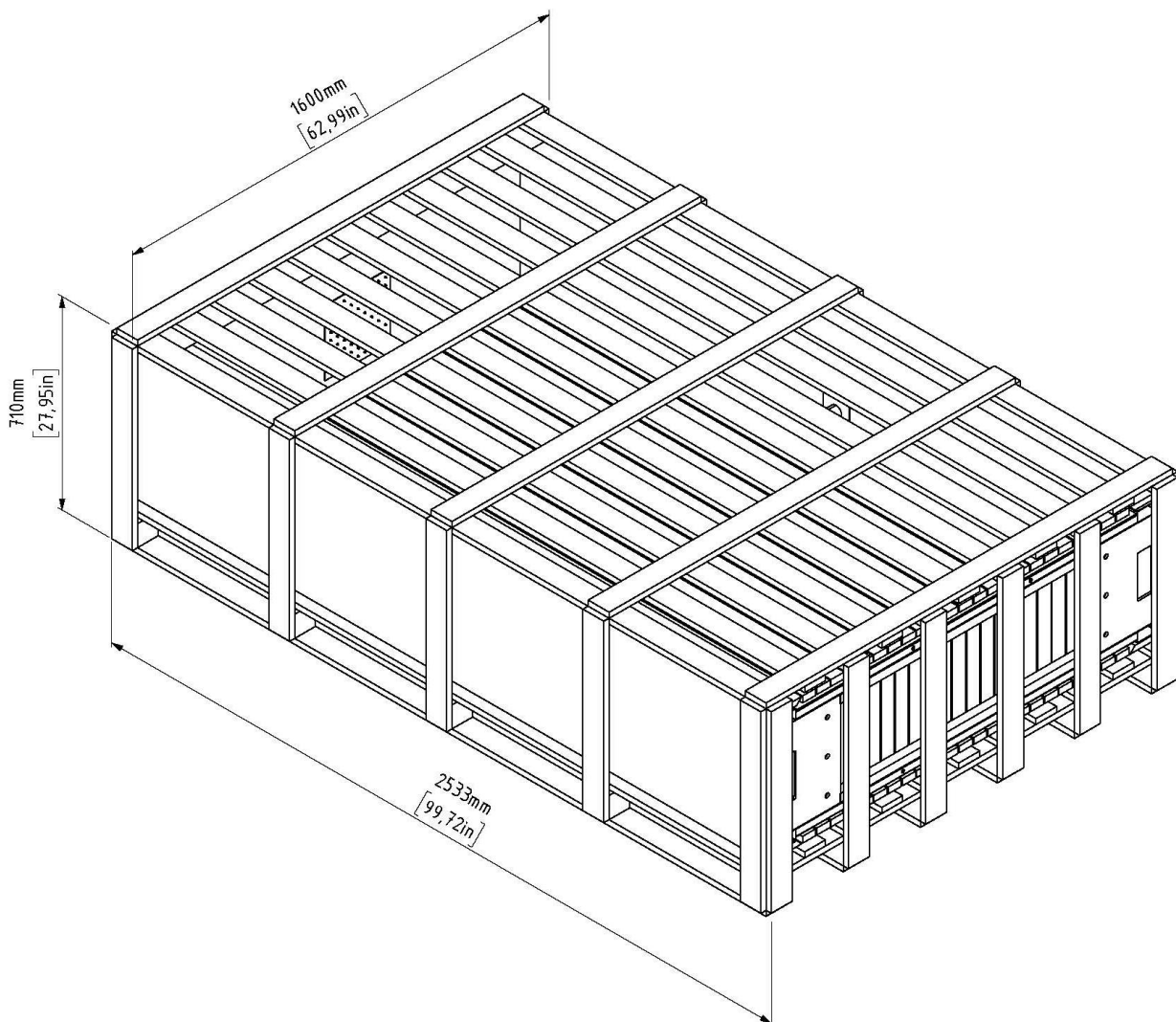
## PACKAGING INFORMATION

### Delivery Box Dimensions and Weight for Stone Collection

❖ 2533 x 1600 x 710 mm ~ 100 x 63 x 28 in (Length x Width x Height)



535kg / 1180lbs



**Delivery Box Dimensions and Weight for Ceramic Collection**

❖ 2533 x 1600 x 710 mm ~ 100 x 63 x 28 in (Length x Width x Height)



347kg / 765lbs

